



# VINCI Series

## LED Street Light



Scan QR code to get access to Masonled website:  
[www.masonleds.com](http://www.masonleds.com)

Guangdong Mason Technologies Co., Ltd

A Bld, Industrial West 1st Road, SongShan Hu High-tech  
Industrial Development Zone, Dongguan, China 523808  
Tel: +86-769-89950999  
Fax: +86-769-89950329  
E-mail: [market@masonled.com](mailto:market@masonled.com)

Statement: All of the product's parameters in this book are just for your reference,  
Mason have the right to revise or cancel the related parameters at anytime without  
advance notice. If you have questions, please contact our customer service hotline.

## VINCI Series

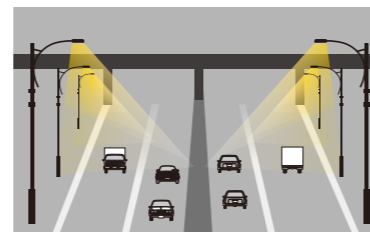
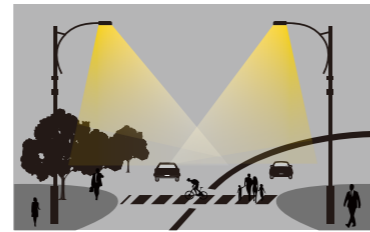
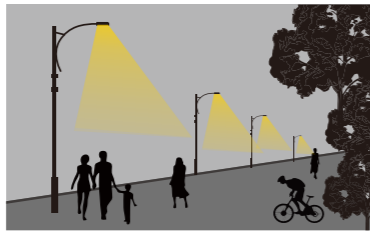
VINCI series represent the trend of municipal lighting. Compatible with both NEMA and ZHAGA node, VINCI plays an important role for intelligent city. Class II safety protection and ENEC regulation were well considered from the earlier design beginning.

Can adopt the latest versions of Dali, Zigbee and Bluetooth, VINCI series provide multiple smart choices.



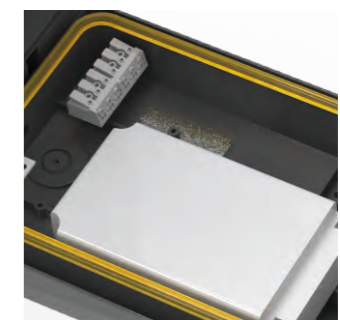
## Application Scene

- Streets, paths and bike paths
- Residential streets
- Shared zones, commercial
- Streets in urban areas
- Rural roads
- Motorways and ring roads



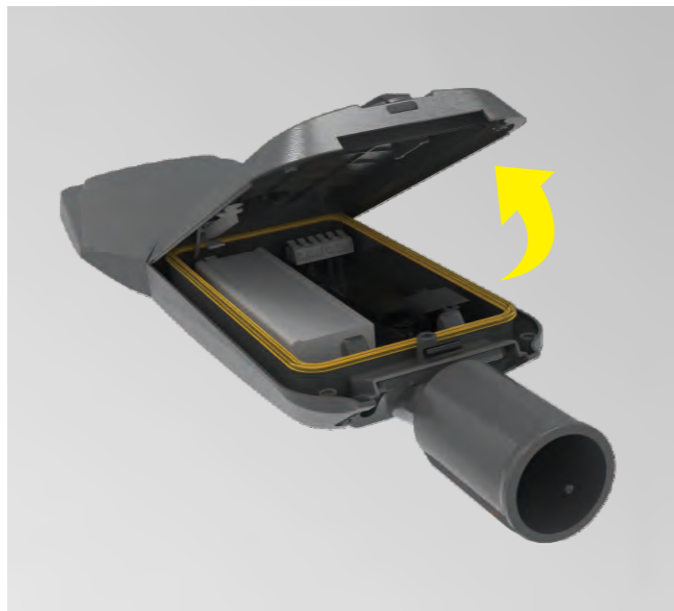
## Features

- ⦿ Automatic power disconnection switch
- ⦿ Modular light source
- ⦿ Built-in independent SPD
- ⦿ Tempered protection glass cover
- ⦿ Unique style, Mason own designed
- ⦿ No fins or ribs design on back
- ⦿ Sufficient electrical compartment, more possibilities for projects applications
- ⦿ NEMA/ZHAGA standard receptacle
- ⦿ Fixture angle adjustable. Support side entry and post top installation
- ⦿ Tool-less opening
- ⦿ Electrical cabinet opening from back
- ⦿ 4 in 1 modular optical lens
- ⦿ Bubble level can assist the on field installation



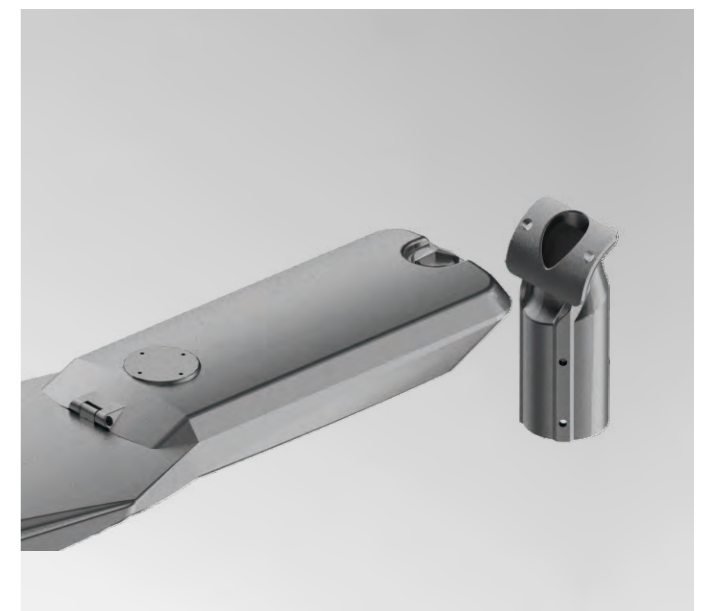
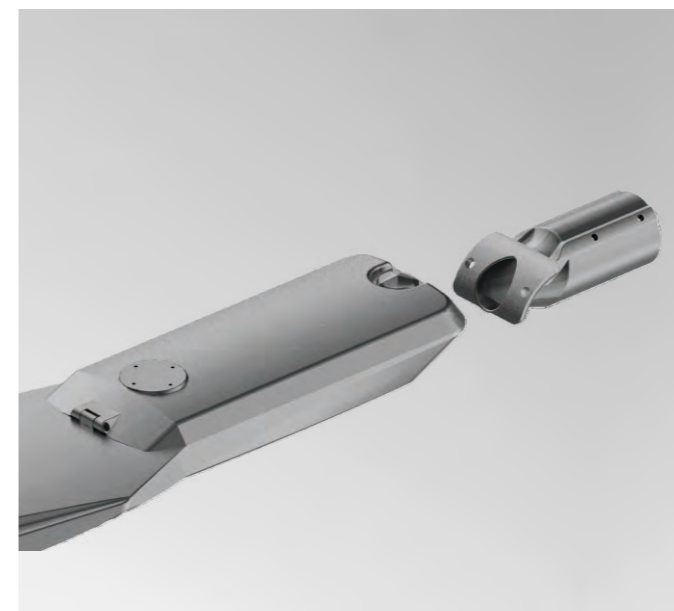
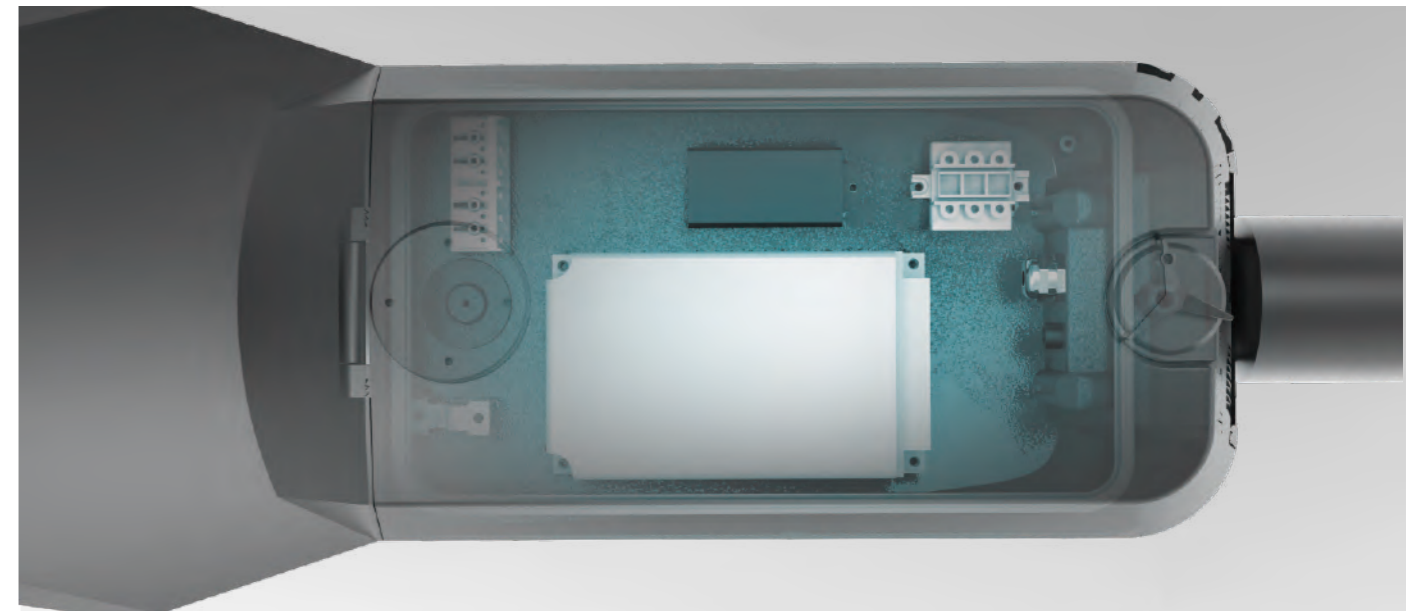
## Opening And Maintenance

Tool free opening.  
Convenient operation  
save time and labor cost.



## Mechanical

Allow Clean Cable Wiring Layout



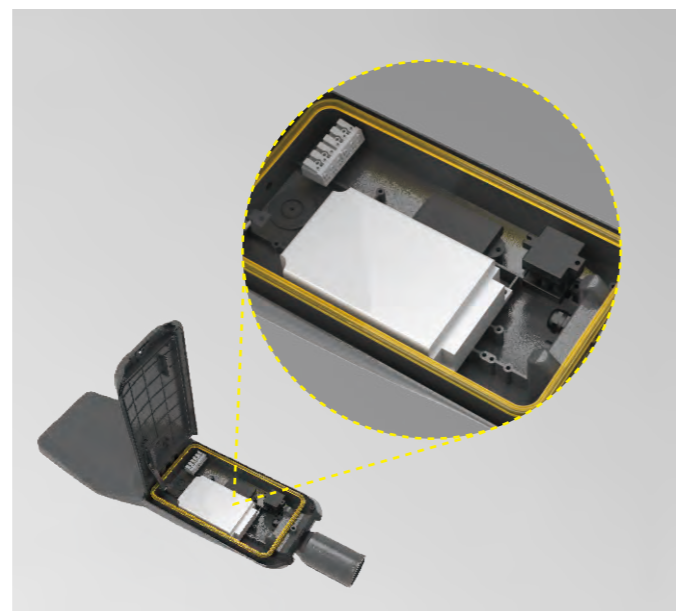
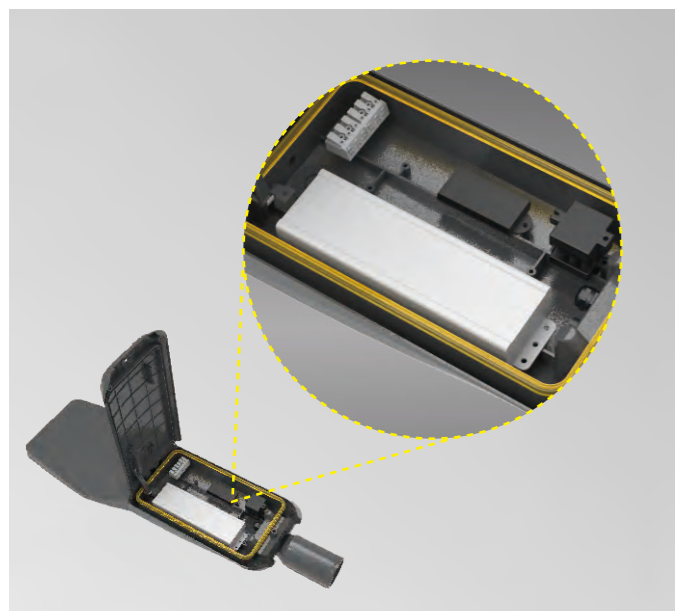
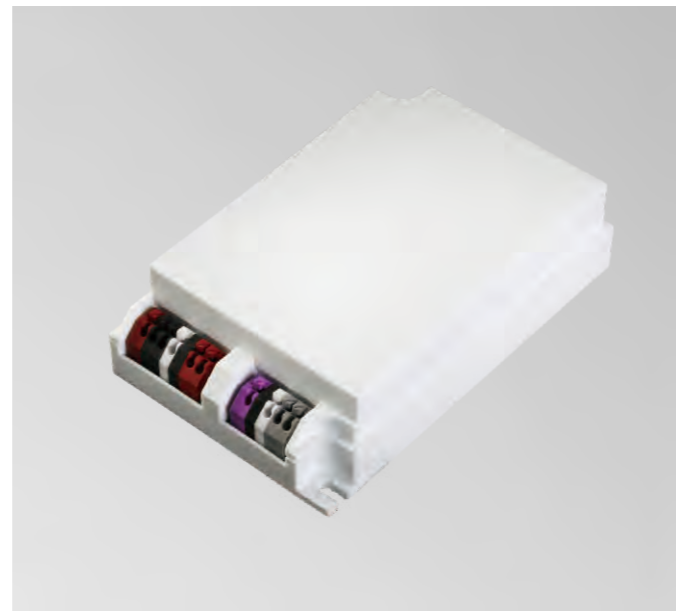
# Driver

Class I and Class II driver optional according to application area and requirements, sufficient space for driver compartment, more possibilities for modern street illumination.

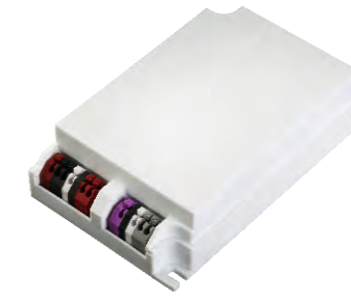
Class I Driver



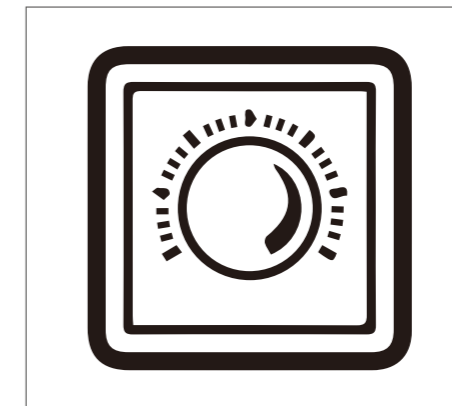
Class II Driver



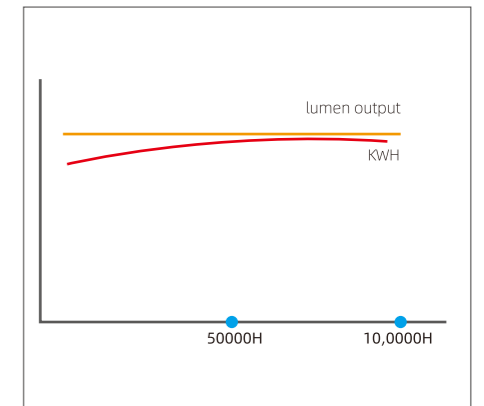
# Future Proof



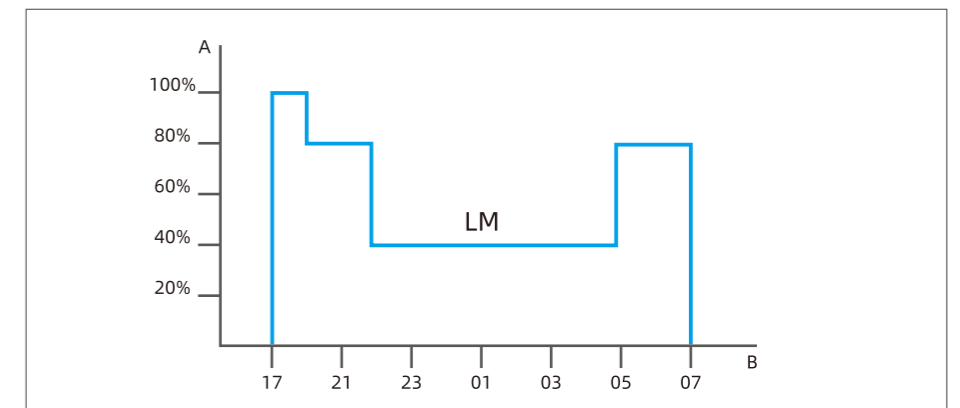
Vinci series LED street light with big electrical compartment, can afford more options for different drivers. Our standard version spec. adapting the programmable driver, with dimming, timing, CLO, NFC functions. Step-less dimming control, more energy saving, preventing over lighting during mid-night, and increase the LED lifetime. CLO function support continuously compensates for the drop in luminous flux of the luminaire. NFC make the programming operation more quick and easy.



Dimmable, range: 10%~100%



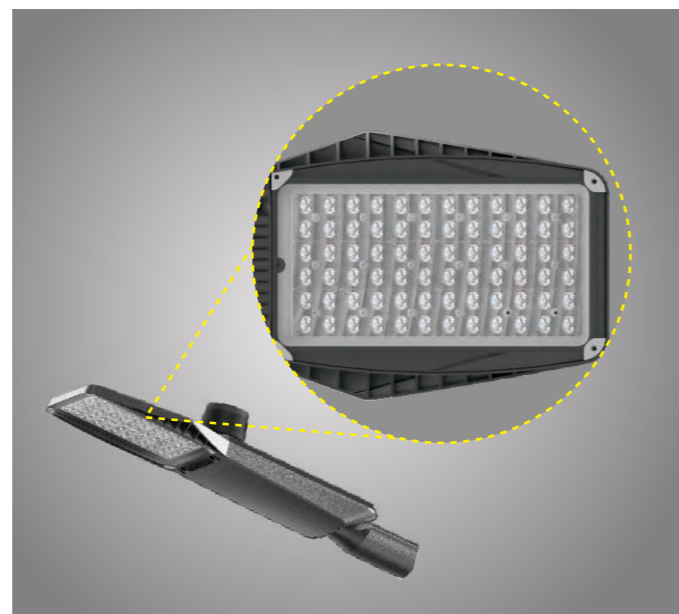
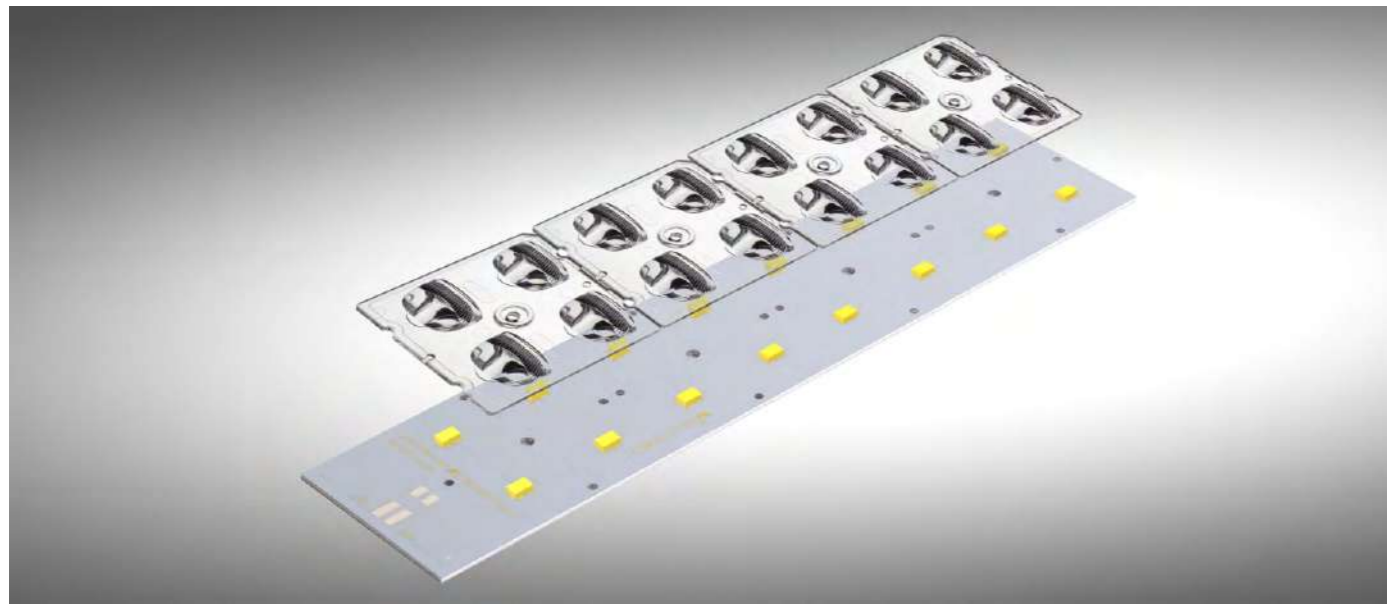
Constant lumen output



Timer and dimming

## Optical Lens

Own designed optical lens, also can adapt ZHAGA standard lens



# Light Distribution

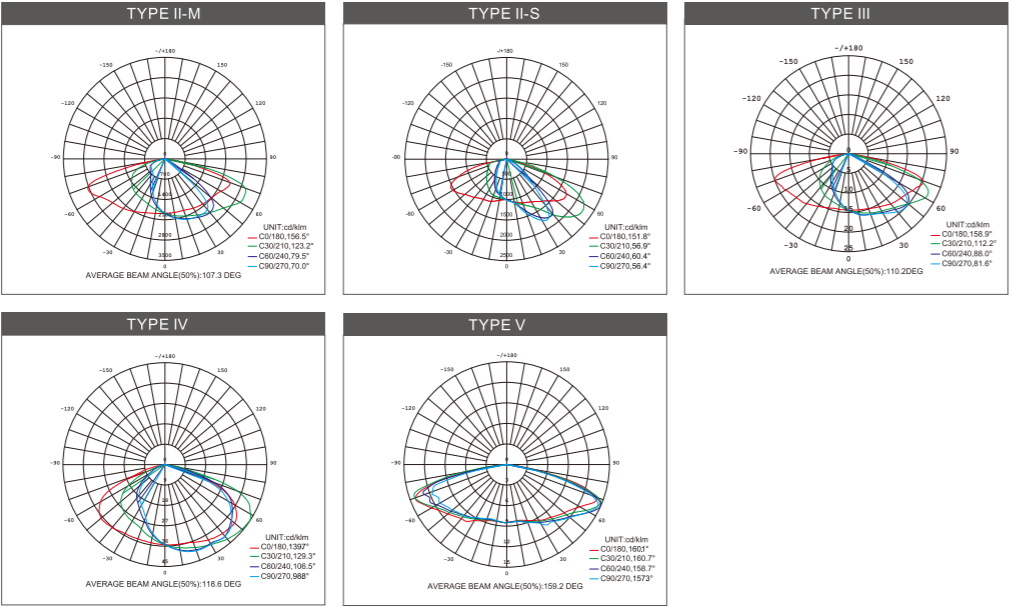
More options on the lens parts, 4 in 1 integrated standard 45\*45mm and 50\*50 mm available.



50\*50mm



45\*45mm





# i-Sense Smart Control System

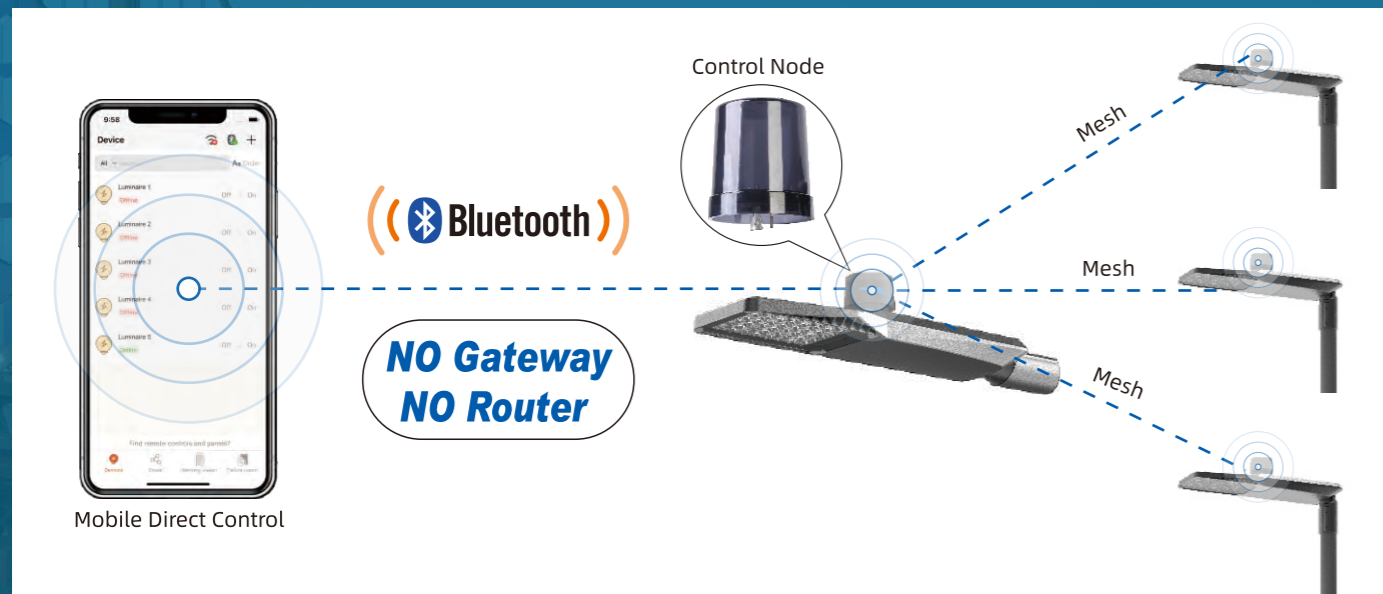
The i-Sense Bluetooth intelligent control system with two kinds network set-up methods: one is mobile phone direct connect or communicate with the the control nodes, another method is throught the mobile/PC connect the gateway, then connect to the single control node.

Features of mobile phone direct control: no need the gateway, mobilephone connect to the nodes through bluetooth signal, easy to operate, fast, safe and flexible.

Features of the with gateway control : Gateway integrated into the control node,

no extra central controller required (can save total barget), gateways connected each others by mesh network, If one of the gateways fails, the system automatically switches the alternative gateway to ensure the normal operation of the system.

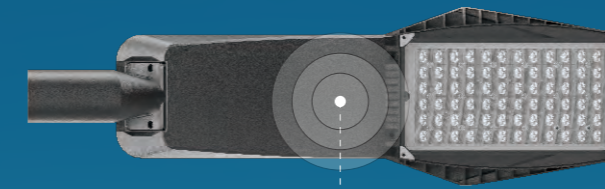
Account management : with a multi-level rights management, managing multiple areas with dierent gateway configura tions, and securely access control and configuration functions.



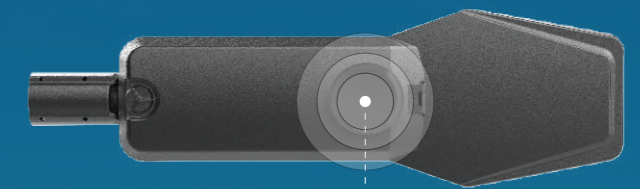
ZHAGA standard extension receptacle and cap



NEMA standard receptacle and cap



Front side designed extension knockout for motion sensor



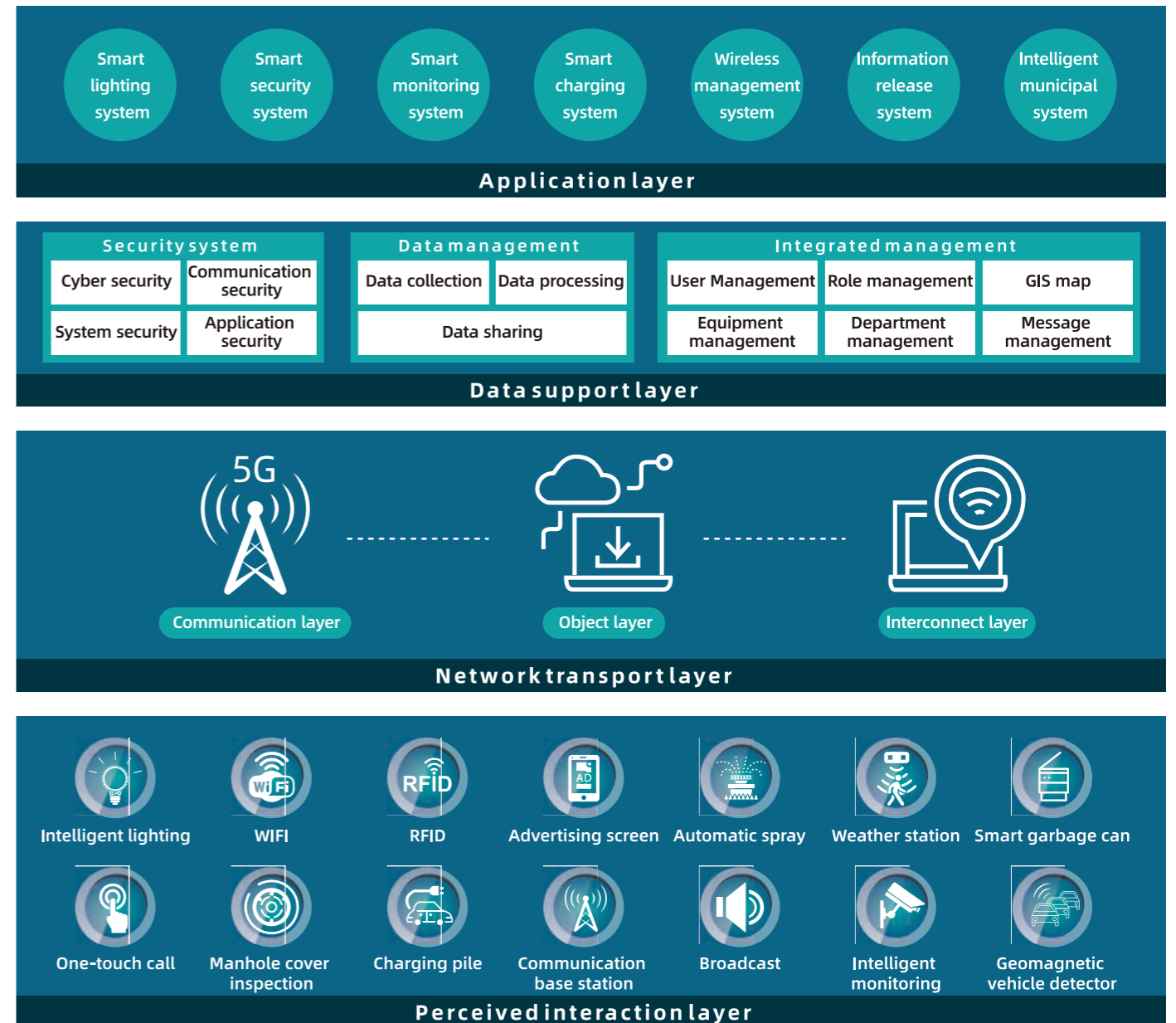
Back side support NEMA or ZHAGA standard extension receptacle



# Zigbee/Lora Control System

1. 2700K / 6500K two types of LED / RGBW four types of LED
2. 802.15.4 ZigBee communication protocol
3. Dimming and change CCT / Color by APP

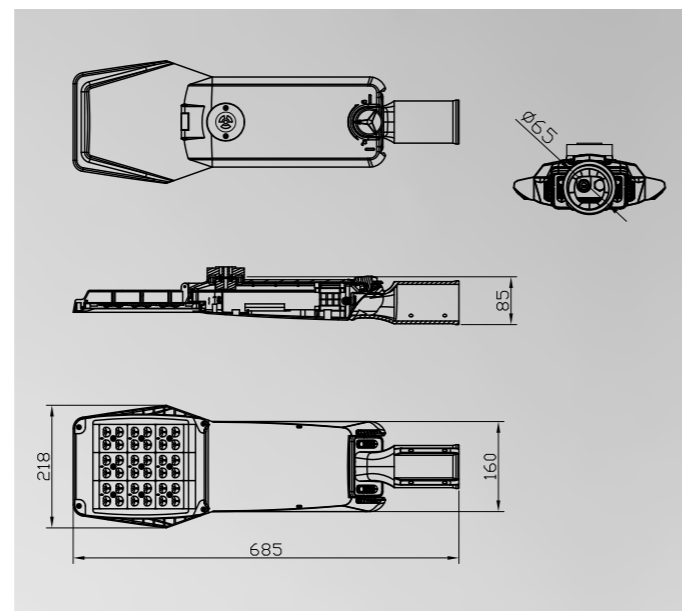
4. With timing function
5. Setting group and various scenes
6. Multi voltage 100-240V 50~60Hz
7. 40,000 hours lifetime



## Technical Parameter

Model NO.	System Power	Luminous Eciency	Distribution Type	N.W
MS-ST1019020-XX-ON	20W	160-170lm/W	TYPEII TYPEIII	4.8KG
MS-ST1020030-XX-ON	30W	160-170lm/W	TYPEII TYPEIII	4.8KG
MS-ST1021040-XX-ON	40W	160-170lm/W	TYPEII TYPEIII	4.8KG
MS-ST1022050-XX-ON	50W	160-170lm/W	TYPEII TYPEIII	4.8KG
MS-ST1023060-XX-ON	60W	160-170lm/W	TYPEII TYPEIII	4.8KG

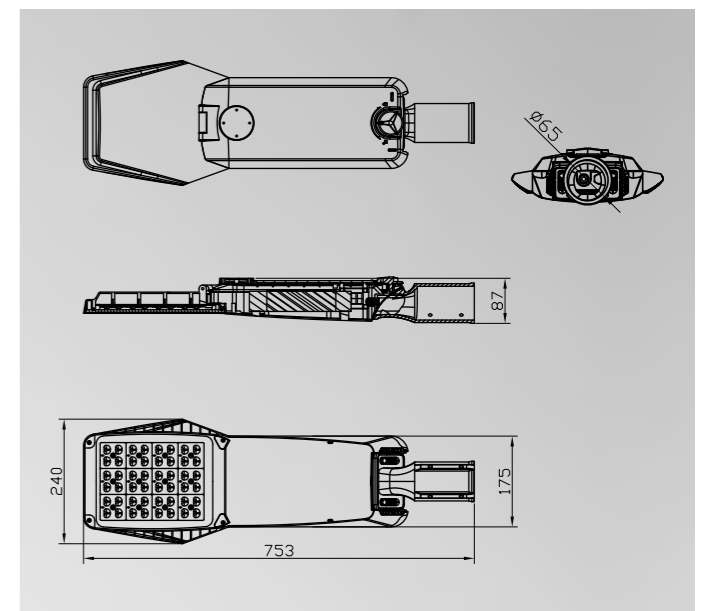
IP66	IK08	CRI 70/80	220-240V 100/120-277V	47-63Hz	PF >0.95	20-95%RH	CCT 3000K / 4000K / 5000K	CCT 5700K / 6500K	50000H	-40°C / 50°C
------	------	-----------	--------------------------	---------	----------	----------	---------------------------	-------------------	--------	--------------



## Technical Parameter

Model NO.	System Power	Luminous Eciency	Distribution Type	N.W
MS-ST1024070-XX-ON	70W	160-170lm/W	TYPEII TYPEIII	6.5KG
MS-ST1025080-XX-ON	80W	160-170lm/W	TYPEII TYPEIII	6.5KG
MS-ST1026090-XX-ON	90W	160-170lm/W	TYPEII TYPEIII	6.5KG
MS-ST1027100-XX-ON	100W	160-170lm/W	TYPEII TYPEIII	6.5KG

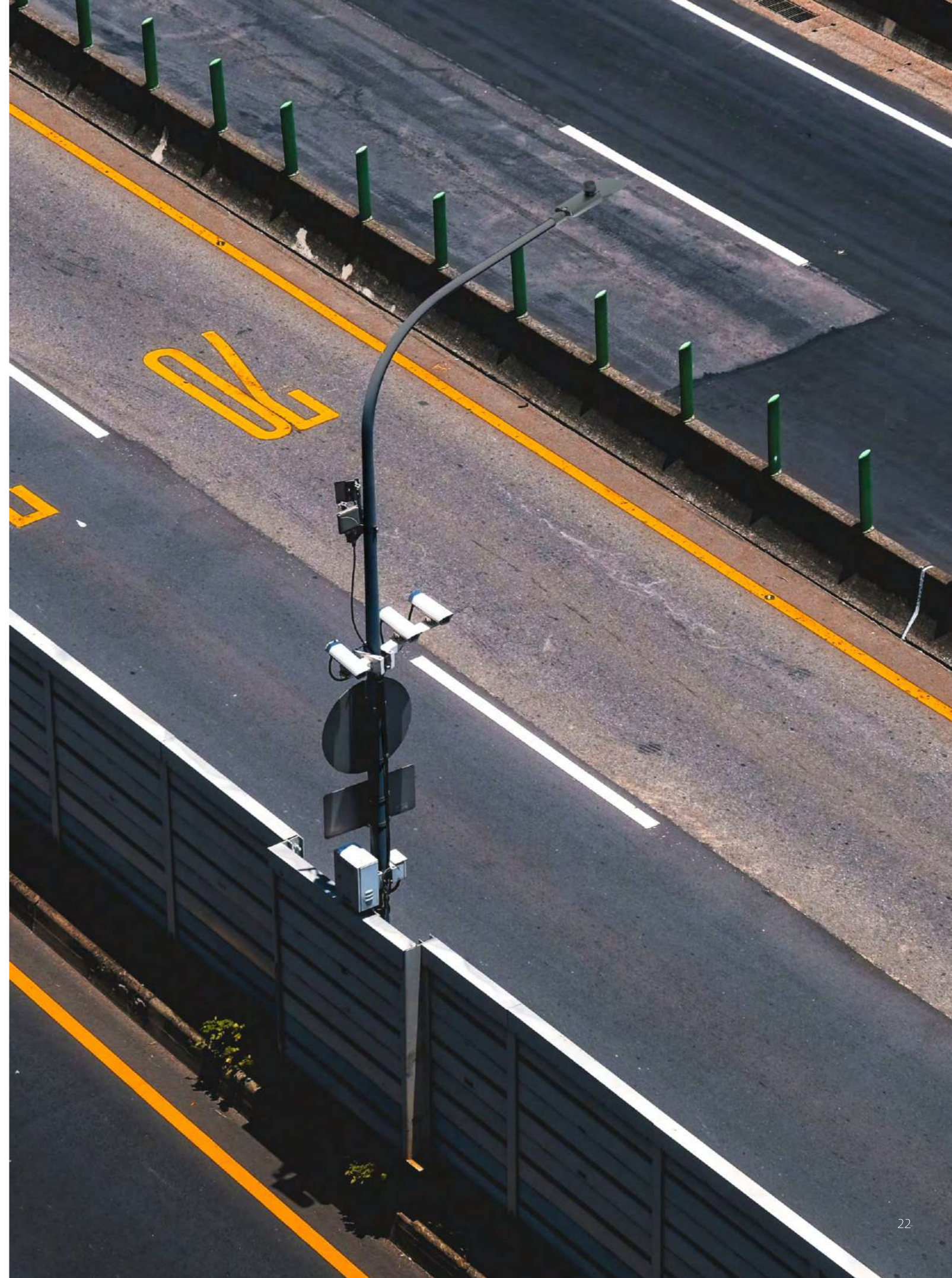
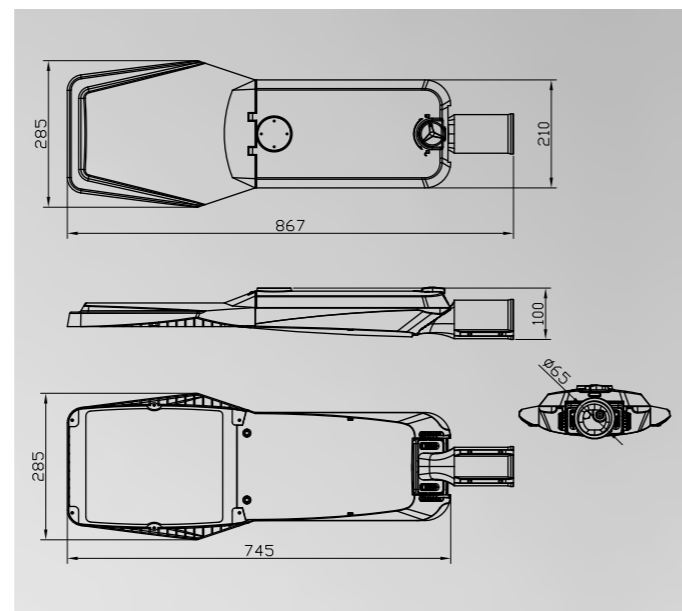
IP66	IK08	CRI 70/80	220-240V 100/120-277V	47-63Hz	PF >0.95	20-95%RH	CCT 3000K / 4000K / 5000K	CCT 5700K / 6500K	50000H	-40°C / 50°C
------	------	-----------	--------------------------	---------	----------	----------	---------------------------	-------------------	--------	--------------



# Technical Parameter

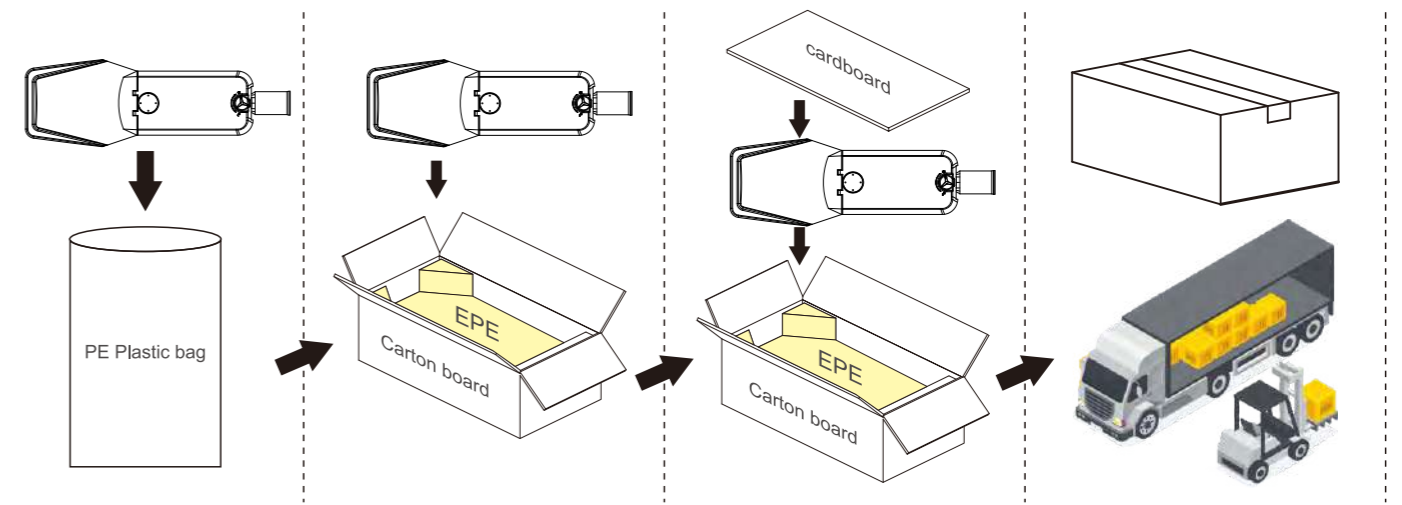
Model NO.	System Power	Luminous Eciency	Distribution Type	N.W
MS-ST1028110-XX-ON	110W	160-170lm/W	TYPEII TYPEIII	9.2KG
MS-ST1029120-XX-ON	120W	160-170lm/W	TYPEII TYPEIII	9.2KG
MS-ST1030130-XX-ON	130W	160-170lm/W	TYPEII TYPEIII	9.2KG
MS-ST1031140-XX-ON	140W	160-170lm/W	TYPEII TYPEIII	9.2KG
MS-ST1032150-XX-ON	150W	160-170lm/W	TYPEII TYPEIII	9.2KG

IP66	IK08	CRI 70/80	220-240V 100/120-277V	47-63Hz	PF >0.95	20-95%RH	CCT 3000K / 4000K / 5000K	CCT 5700K / 6500K	50000H	-40°C 50°C
------	------	-----------	--------------------------	---------	----------	----------	---------------------------	-------------------	--------	---------------






## Packaging



Luminaire power	Carton size (outer box)(mm)	Qty per carton	Packing volume (outer box)
20W-60W	760*275*155mm	1	0.032
70W-100W	828*285*155mm	1	0.037
110W-150W	942*320*165mm	1	0.05
160W-180W	957*335*190mm	1	0.06

# Announcements

-  1. Please check the wire is good before connecting the wire.  
 2. Please check if you shut the power before connecting.  
 3. Please connect the wire with right color show in the sketch map.  
 4. After connected to the power cable ,make sure the cable joint position and wire of lamp must be waterproof processing, IP65.  
 5. It's nomal phenomenon,there is temperature rise on the products surface when use.  
 6. Please kindly read the introduction carefully to avoid the accident and damage. Just can be repaired and cleared after cutting off power.  
 7. Must be installed by qualified electrician. The connection way must be suitable for IEEE electrical standard or national standard.  
 8. Please kindly use soft cloth to clear it regularly (annually) to maintain the brightness.  
 9. It should be stocked in the shady, dry and clear environment and the stocked tempera ture is 40°C to 50°C.

